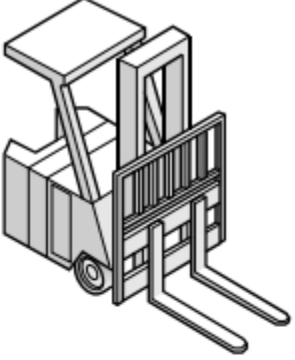
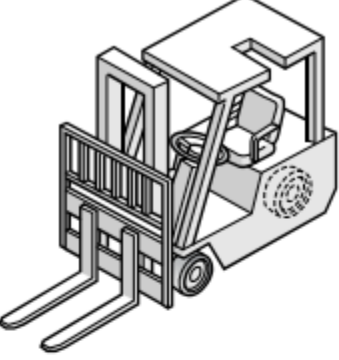
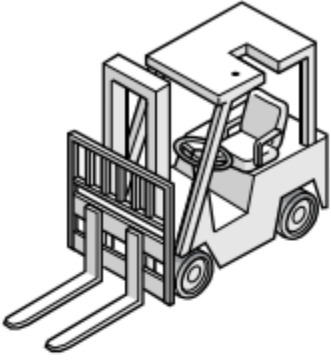
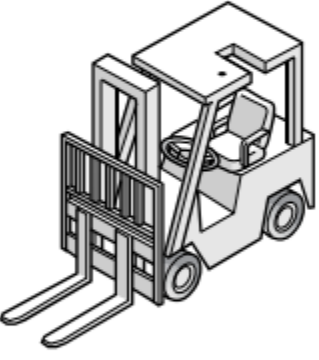
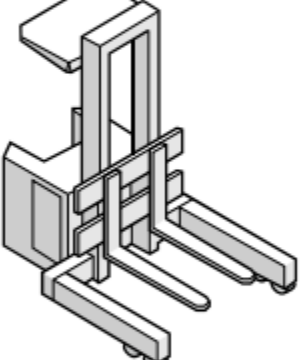
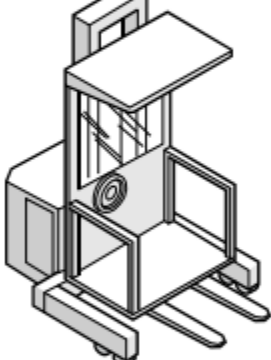
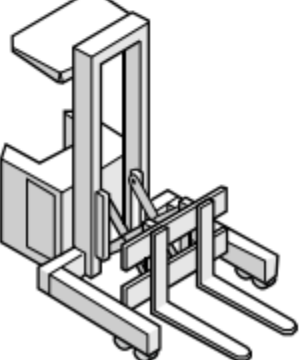
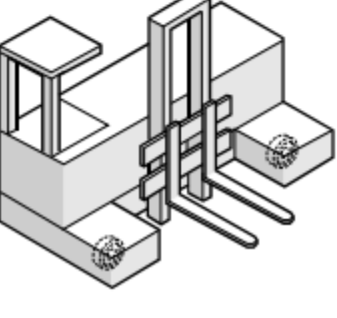
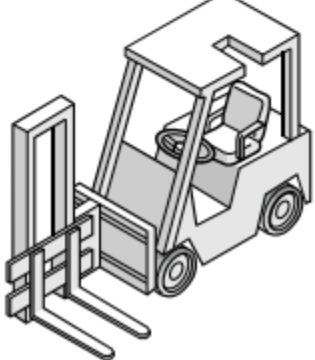
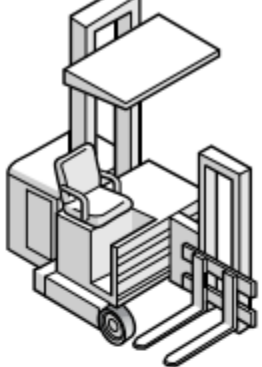
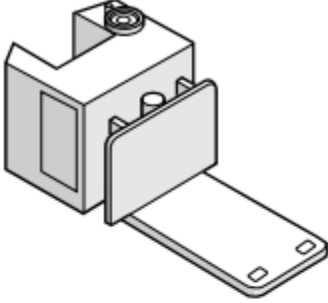
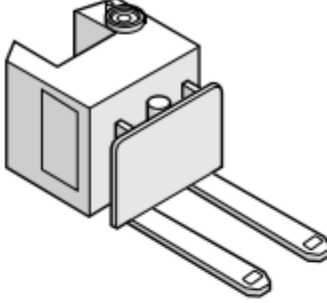
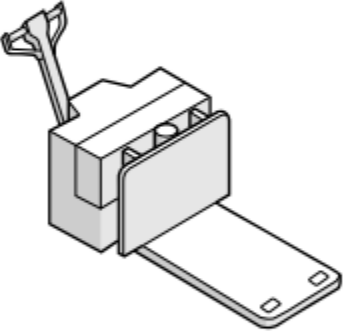
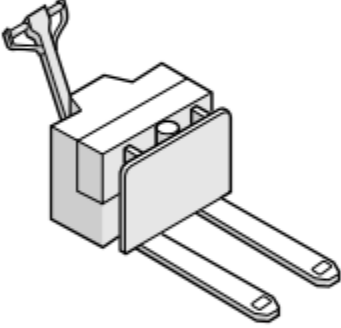
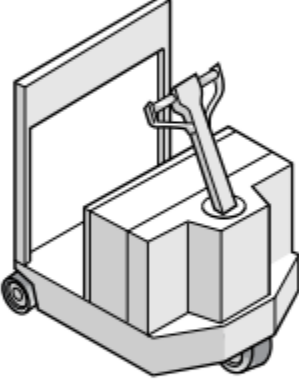
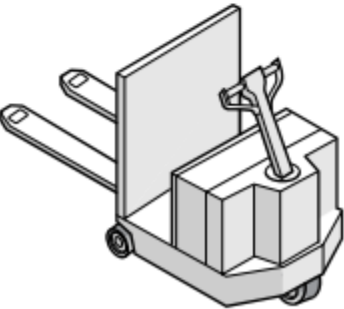
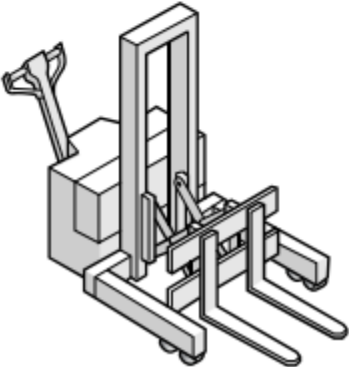
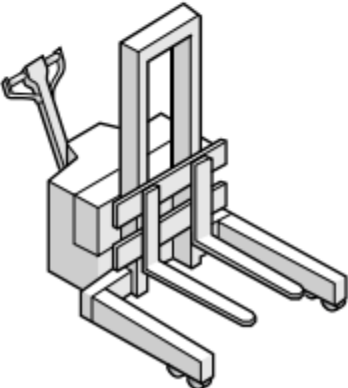


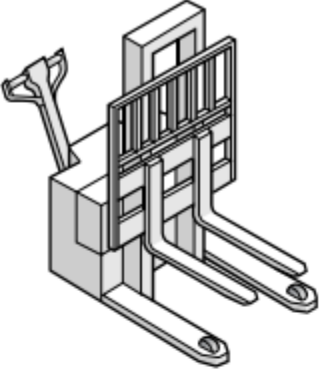
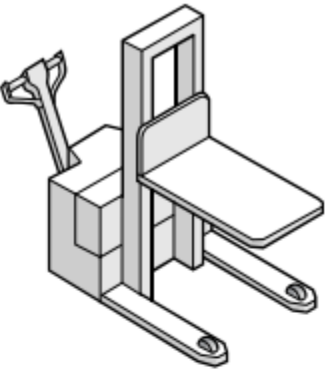
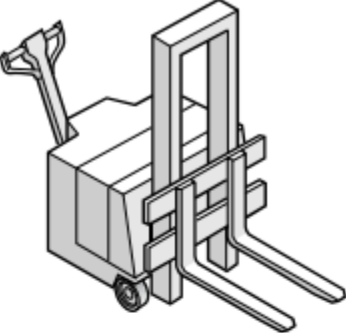
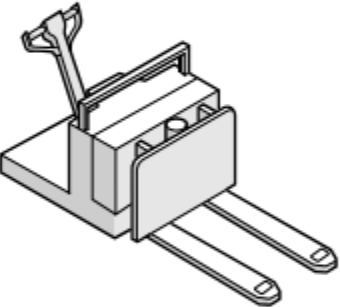
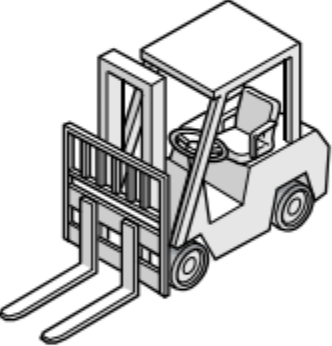
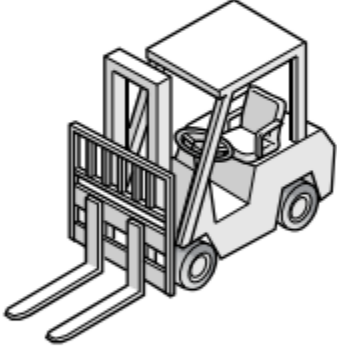
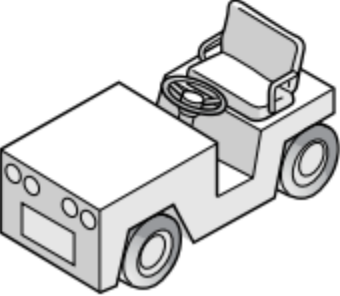
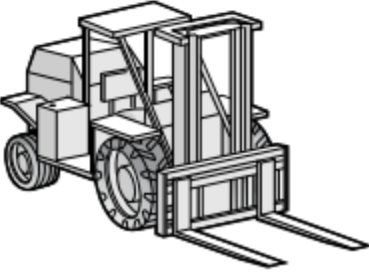
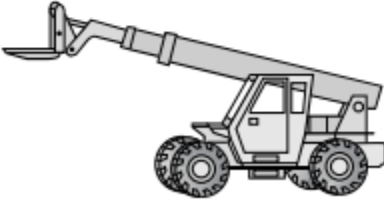
## Lift Truck Classifications and Lift Codes

<p>Class I - Electric motor rider trucks Lift Code 1 - Counterbalanced rider, stand-up</p>  <p style="text-align: center;"><b>Figure B.1.1</b></p>	<p>Class I - Electric motor rider trucks Lift Code 4 - Three wheel electric trucks, sit-down</p>  <p style="text-align: center;"><b>Figure B.1.2</b></p>	<p>Class I - Electric motor rider trucks Lift Code 5 - Counterbalanced rider, cushion tire, sit-down</p>  <p style="text-align: center;"><b>Figure B.1.3</b></p>
<p>Class I - Electric motor rider trucks Lift Code 6 - Counterbalanced rider, pneumatic tire, sit-down</p>  <p style="text-align: center;"><b>Figure B.1.4</b></p>	<p>Class II - Electric motor narrow aisle trucks Lift Code 1 - High lift straddle</p>  <p style="text-align: center;"><b>Figure B.1.5</b></p>	<p>Class II - Electric motor narrow aisle trucks Lift Code 2 - Order picker</p>  <p style="text-align: center;"><b>Figure B.1.6</b></p>
<p>Class II - Electric motor narrow aisle trucks Lift Code 3 - Reach type outrigger</p>  <p style="text-align: center;"><b>Figure B.1.7</b></p>	<p>Class II - Electric motor narrow aisle trucks Lift Code 4 - Sideloaders: platforms</p>  <p style="text-align: center;"><b>Figure B.1.8</b></p>	<p>Class II - Electric motor narrow aisle trucks Lift Code 4 - Sideloaders: high lift pallet</p>  <p style="text-align: center;"><b>Figure B.1.9</b></p>

## Lift Truck Classifications and Lift Codes (continued)

<p>Class II - Electric motor narrow aisle trucks Lift Code 4 - Turret trucks</p>  <p><b>Figure B.1.10</b></p>	<p>Class II - Electric motor narrow aisle trucks Lift Code 6 - Low lift platform</p>  <p><b>Figure B.1.11</b></p>	<p>Class II - Electric motor narrow aisle trucks Lift Code 6 - Low lift pallet</p>  <p><b>Figure B.1.12</b></p>
<p>Class III - Electric motor hand trucks Lift Code 1 - Low lift platform</p>  <p><b>Figure B.1.13</b></p>	<p>Class III - Electric motor hand trucks Lift Code 2 - Low lift walkie pallet</p>  <p><b>Figure B.1.14</b></p>	<p>Class III - Electric motor hand trucks Lift Code 3 - Tractor</p>  <p><b>Figure B.1.15</b></p>
<p>Class III - Electric motor hand trucks Lift Code 4 - Low lift walkie/centre control</p>  <p><b>Figure B.1.16</b></p>	<p>Class III - Electric motor hand trucks Lift Code 5 - Reach type outrigger</p>  <p><b>Figure B.1.17</b></p>	<p>Class III - Electric motor hand trucks Lift Code 6 - High lift straddle</p>  <p><b>Figure B.1.18</b></p>

## Lift Truck Classifications and Lift Codes (continued)

<p>Class III - Electric motor hand trucks Lift Code 6 - Single face pallet</p>  <p><b>Figure B.1.19</b></p>	<p>Class III - Electric motor hand trucks Lift Code 6 - High lift platform</p>  <p><b>Figure B.1.20</b></p>	<p>Class III - Electric motor hand trucks Lift Code 7 - High lift counterbalanced</p>  <p><b>Figure B.1.21</b></p>
<p>Class III - Electric motor hand trucks Lift Code 8 - Low lift walkie/rider pallet and end control</p>  <p><b>Figure B.1.22</b></p>	<p>Class IV - Internal combustion engine trucks Lift Code 3 - Fork, counterbalanced, cushion tire</p>  <p><b>Figure B.1.23</b></p>	<p>Class V - Internal combustion engine trucks — Pneumatic tires only Lift Code 4 - Fork, counterbalanced, pneumatic tire</p>  <p><b>Figure B.1.24</b></p>
<p>Class VI - Electric and internal combustion engine tractors Lift Code 1 - Sit down rider</p>  <p><b>Figure B.1.25</b></p>	<p>Class VII - Rough terrain forklift trucks Lift Code 1 - Vertical mast rough terrain fork lift truck</p>  <p><b>Figure B.1.26</b></p>	<p>Class VII - Rough terrain forklift trucks Lift Code 1 - Variable reach rough terrain fork lift truck</p>  <p><b>Figure B.1.27</b></p>